



K500



Capacity: 5000 kg + 3500kg
MODEL : K500



Description

Electro-hydraulic lift with freestanding platforms, suitable for wheel alignment, vehicle repair , vehicle diagnostics and reception area

The lift has 5 Tons Capacity and 5,2 mt platforms.

It is available in 4 versions:

- N : Standard Lift
- LT: Standard lift with auxiliary lift table 3,5 ton capacity
- AT: For wheel alignment with integrated front recess and rear sliding plates
- ATLT: For wheel alignment with integrated auxiliary lift table 3.5 tons capacity

Made in Italy – Made in LV8 ELEVATE
Via A. Novella, 46, 43058 Sorbolo (PR), Italy
PH.: +39 0522 687907 – FAX: +39 0522 684498 E-MAIL: info@lv8.it
www.lv8elevate.it

Freestanding platforms without mechanical coupling, both synchronized and hydraulic self-levelling by double redundant hydraulic circuit consisting of 4 pistons, 2 on each platform. Equipped with safety and shut-off valve on the hydraulic circuit for overload protection and hoses breaks. Self-lubricating axle bearings on each rotating pin, no maintenance required. High-sliding and self-lubricating polyethylene sliding pads. Lowering speed control with compensation valve. "Hold to run" 24V Control. "foot guard" device and acoustic signal, to protect the last lowering travel. Suitable for both surface mounted and recessed installation.

Technical Data

- Electro-hydraulic control unit in metal structure (without plastic parts)
- Capacity main lift 5000 kg
- Capacity auxiliary lift table 3500 kg
- Standard Power Unit Kw 5 400V 3Ph 50Hz
- Total Weight 2700kg
- Lifting height main lift min 285 mm max 2130 mm
- Lifting height auxiliary lift table max 500 mm
- Up-Down Travel Speed main lift 55/40sec

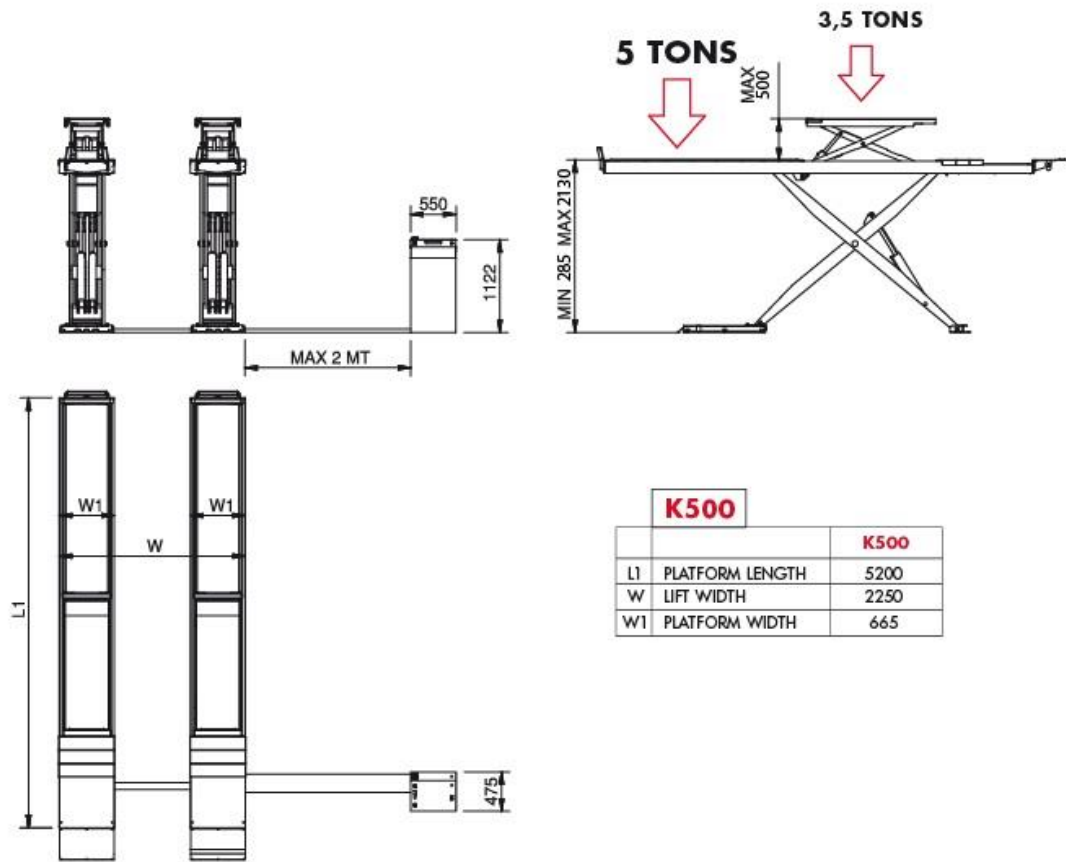
Standard Equipment

- Kit of 4 rubber pads h 20mm

Optional

- Unit in metal structure (without plastic parts)
- Capacity main lift 5000 kg
- Capacity auxiliary lift table 3500 kg
- Standard Power Unit Kw 5 400V 3Ph 50Hz
- Total Weight 2700kg
- Lifting height main lift min 285 mm max 2130 mm
- Lifting height auxiliary lift table max 500 mm
- Up-Down Travel Speed main lift 55/40sec
- Kit of 4 rubber pads h 20mm

Technical Drawing



Made in Italy – Made in LV8 ELEVATE
 Via A. Novella, 46, 43058 Sorbolo (PR), Italy
 PH.: +39 0522 687907 – FAX: +39 0522 684498 E-MAIL: info@lv8.it
 www.lv8elevate.it